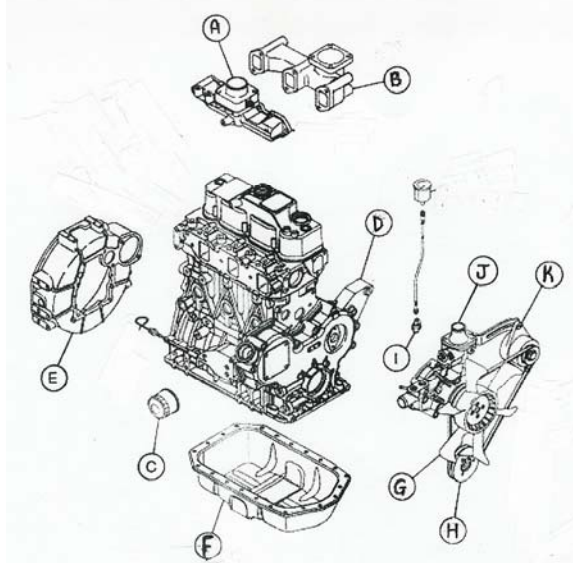




ENGINE REPOWER WORKSHEET

Machine Make _____ Model _____ Type _____ Year _____ Engine Model _____



- A) Position of air intake on manifold? (Example shown top center) _____
- B) Position of exhaust on manifold? (Example shown top front) _____
- C) Is there an oil cooler under filter? (Not shown in example) _____
- D) 1a) Is there an auxiliary drive mounted to the rear of the gear housing? _____
 1b) If so how many retaining bolts & drive splines? _____
 2a) Is there an auxiliary drive mounted on the front of the gear housing? _____
 2b) If so how many retaining bolts & drive splines? _____
- E) 1a) Thickness of flywheel housing from block to outer face? _____
 1b) Diameter of flywheel housing, measuring across the center of the flywheel from bolt hole to bolt hole? _____
 1c) Diameter of the flywheel bolt circle measuring across the center of crankshaft from bolt hole to bolt hole? _____
- F) Depth of oil pan at its highest point? Measured on the outside. _____
- G) Pusher or puller fan? _____
- H) How many belt grooves on crank pulley? _____
- I) Mechanical tachometer drive on front cover? _____
- J) Position of the thermostat cover? (Example top in) _____
- K) Alternator position? (Example left side high mount) _____