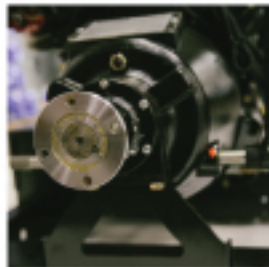
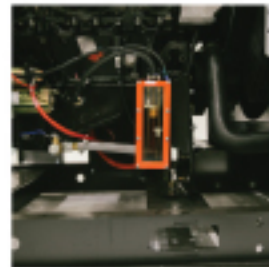


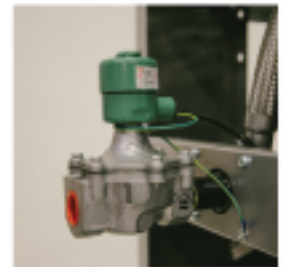
Optional Luberfiner



WPT PTO with Hub Flange



Murphy Oil Level Shutdown



EPA Certified Fuel System LP/NG/VP



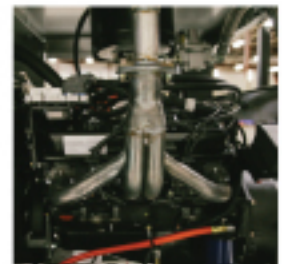
Murphy PV 480 Control Panel / Electronic Throttle and E-Stop



Radiator Grill Guard



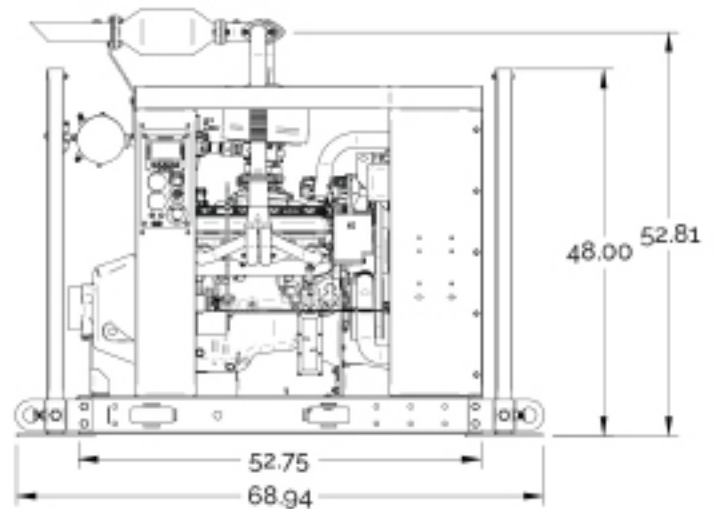
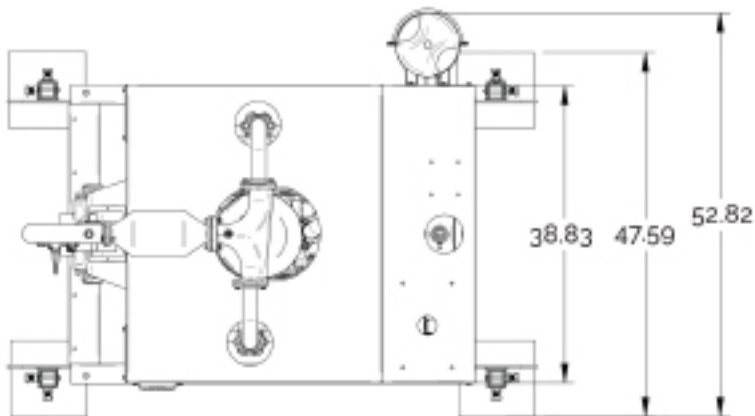
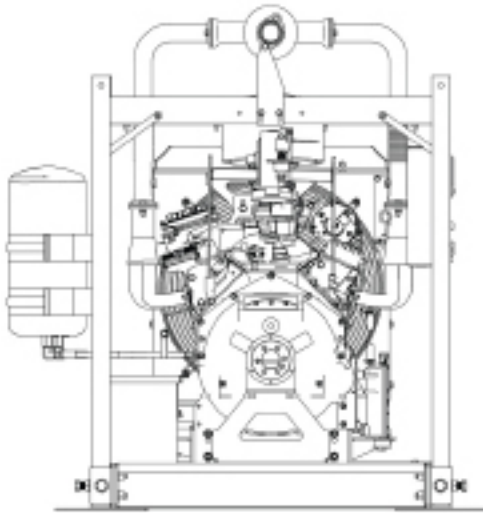
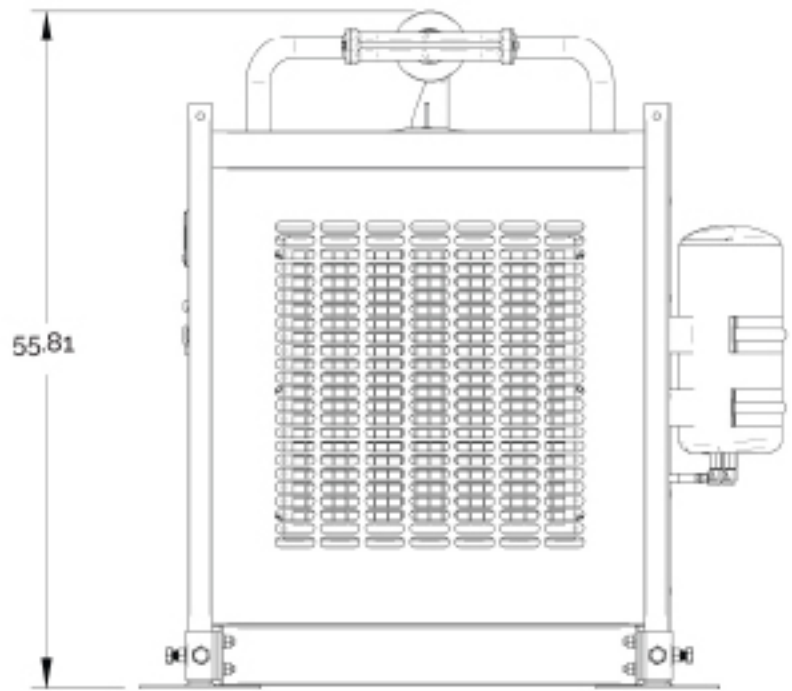
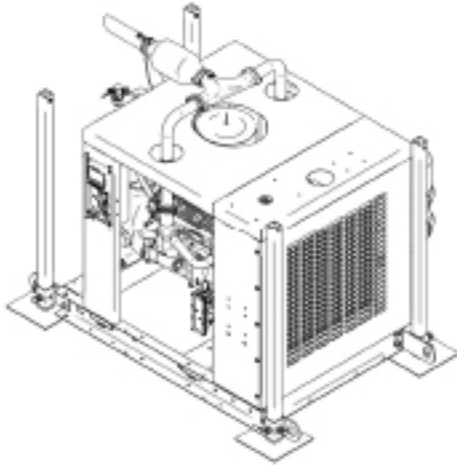
EPA Certified Exhaust System



Flanged Headers



SRC 5.7L EPA  
75 hp at 1800 rpm



1-800-545-4574 • mastry.com



PART NUMBER	FR101342 -VP (LP) (NG)	FR101578	FR102133	FR102208
<b>NG/LP ENGINE</b>	<b>5.7L IPU</b>	<b>Luberliner</b>	<b>Adjustable leg kit</b>	<b>Lockable battery box</b>
Manufacturer	GM / SRC Automotive			
Model	Ns0532B			
Front engine mount	Std.			
Industrial oil pan with fittings welded in (5qts)	Std.			
EPA Emissions Certified	Std.			
Oil Drain System	Std.			
Governor	Elect.			
Starter	Std.			
Alternator	Std.			
Belt Guards	Std.			
Sae 3 rear housing with rear engine mounts	Std.			
<b>CONTROL PANEL</b>				
Digital Control panel: (Displays hours, electrical and mechanical values, alarms and safety shutdowns)	PV480 Std.			
Fully Enclosed	Std.			
Check Engine Light	Std.			
Emergency Shutdown	Std.			
External Safety Shutdown	Std.			
Keyless Ignition Switch	Std.			
Rocker Switch Throttle Switch	Std.			
Mechanical Oil Pressure Gauge	Opt.			
Mechanical Temperature Gauge	Opt.			
Battery Cables	Std.			
<b>FUEL SYSTEM</b>				
Impco LP Certified fuel system	Std.			
Impco Nat gas certified fuel system	Opt.			
Impco Vapor Propane certified fuel system	Opt.			
<b>EXHAUST SYSTEM</b>				
EPA Certified	Std.			
Dual O2 sensor	Std.			
Single Catalyst	Std.			
Muffler	Opt.			
<b>SKID BASE</b>				
Heavy Duty 7 gauge frame rails and crossmembers	Std.			
Fully Welded design	Std.			
Battery tray	Std.			
Forklift pockets	Std.			
4 point lifting eyes	Opt.			
<b>COOLING SYSTEM</b>				
Heavy Duty Aluminum radiator	Std.			
Puller fan	Std.			
<b>ENCLOSURE</b>				
Heavy Duty 14 gauge Enclosure	Std.			
Powder Coated panels (color of choice)	Std.			
Radiator Grill Guard	Std.			
Easy Access for Radiator Filling	Std.			
Easy access for air cleaner maintenance	Std.			
<b>PTO</b>				
WPT dual disk WTD-11-230	Std.			
PTO Hub flange	Std.			
<b>EXTENDED OIL SERVICE SYSTEM</b>				
Luberliner 750-CT W/ fittings and hoses		Std.		
3 gallons of oil (5w30)		Std.		
<b>ADJUSTABLE LEG KIT</b>				
Adjustable legs with 4 point lifting eyes			Std.	
<b>BATTERY BOX</b>				
Heavy duty lockable battery box				Std.

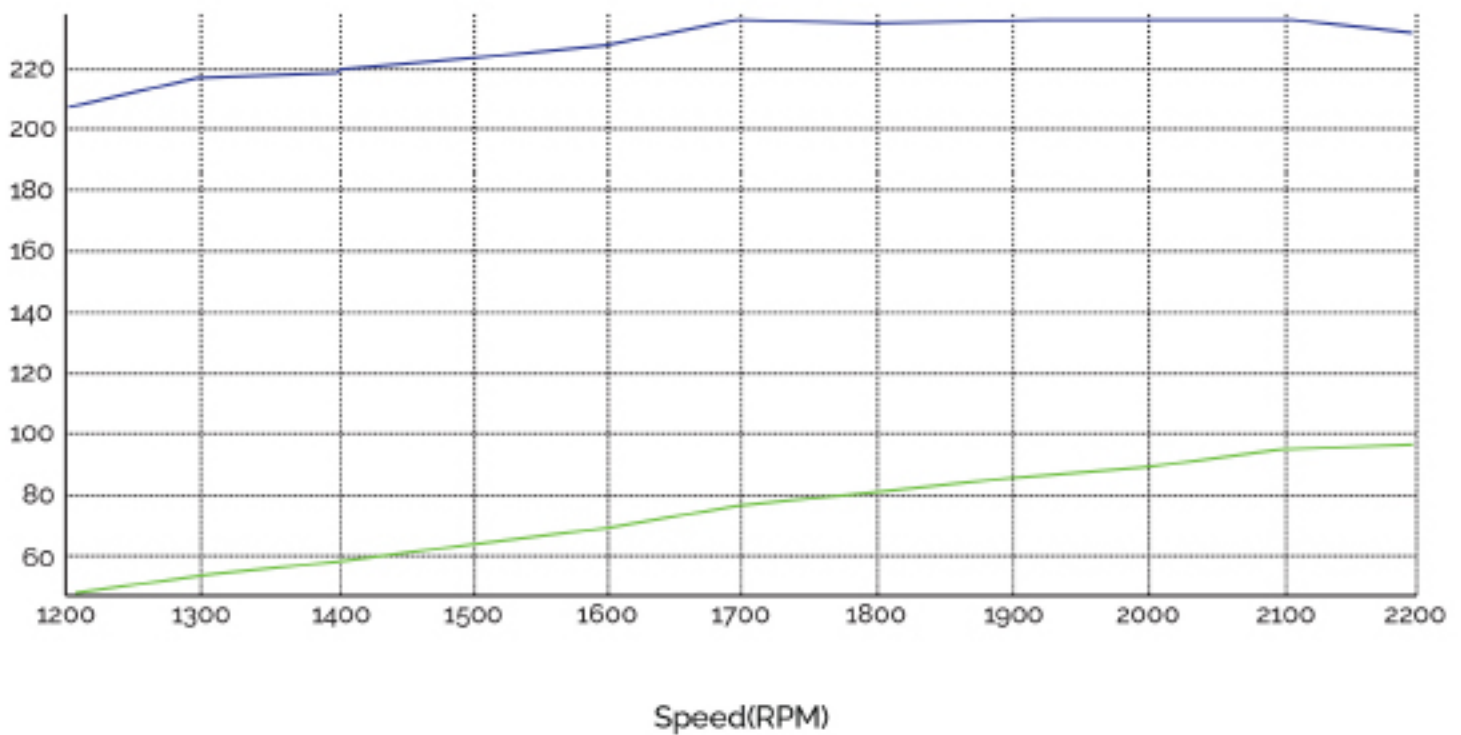


SRC 5.7L EPA  
75 hp at 1800 rpm

## 5.7L Power Spreadsheet

Speed(RPM)	Power(Hp)	Torque(ft-lbs)
2200	97	232
2101	95	238
2001	90	236
1900	85	236
1800	81	236
1700	77	236
1601	69	227
1500	64	223
1400	58	218
1300	54	217
1200	47	207

Power Curve Graph



— Torque(ft-lbs) Manual — Power(Hp) Manual

1-800-545-4574 • mastry.com

