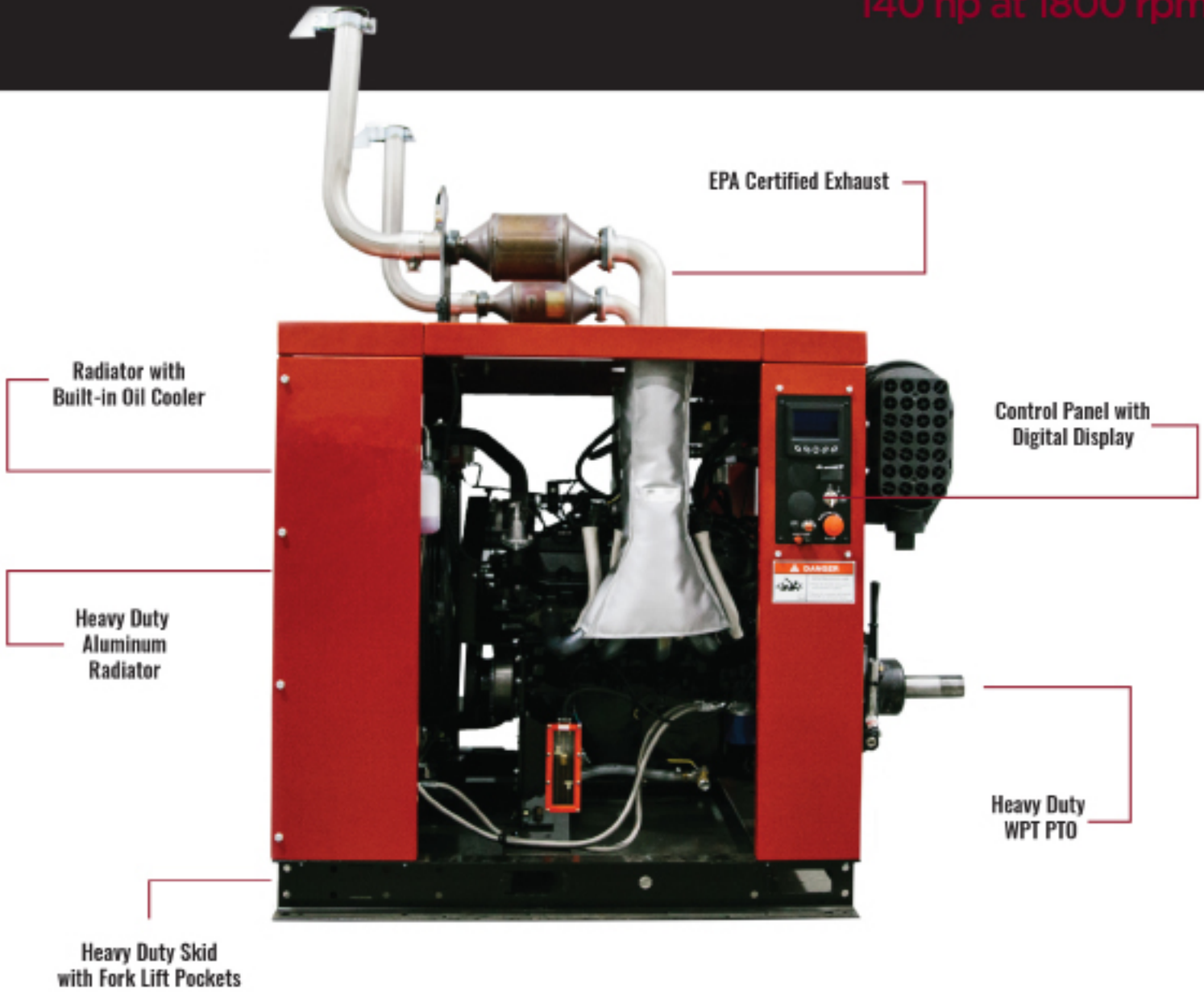
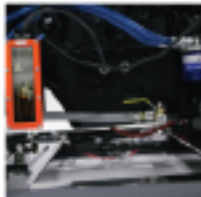




SRC 8.8L IPU EPA CERTIFIED
140 hp at 1800 rpm



Rubber Isolated Radiator Mount



Murphy Oil Level Shutdown and Drain



Murphy PV480 Digital Control Panel



Radiator Overflow Bottle



Donaldson 10in Air Cleaner



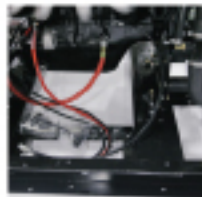
Oil Cooler



Heavy Duty PTO



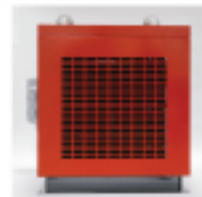
EPA Certified LP Fuel System (NG Optional)



Battery Tray with Cables



Optional Luberfiner



Front Radiator Grill Guard (optional)



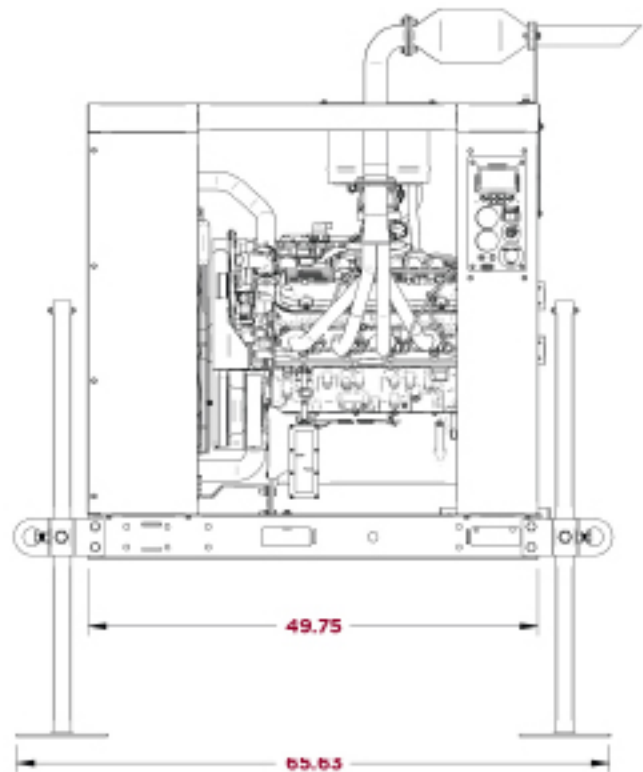
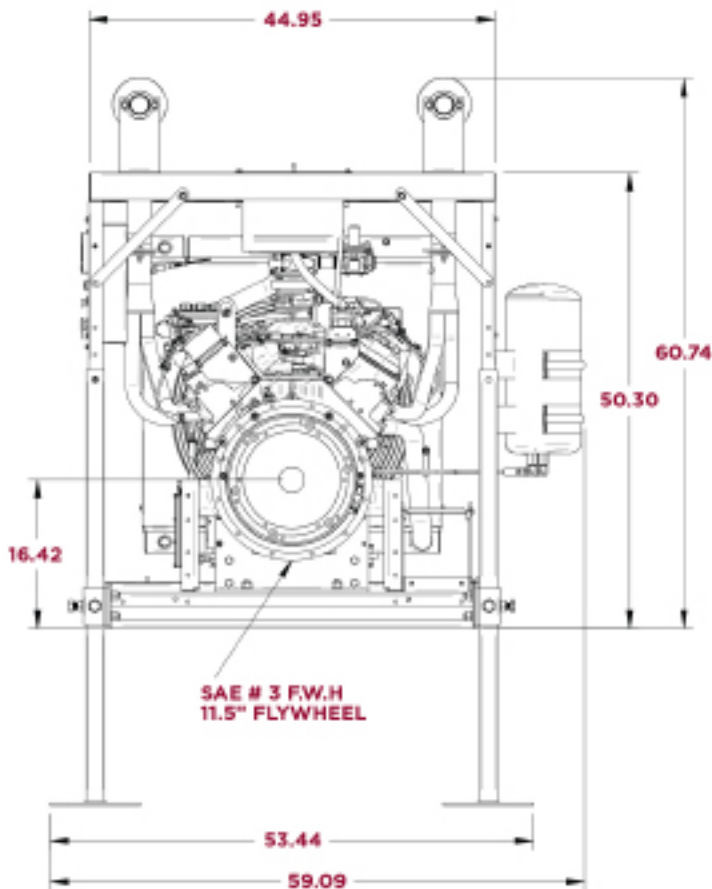
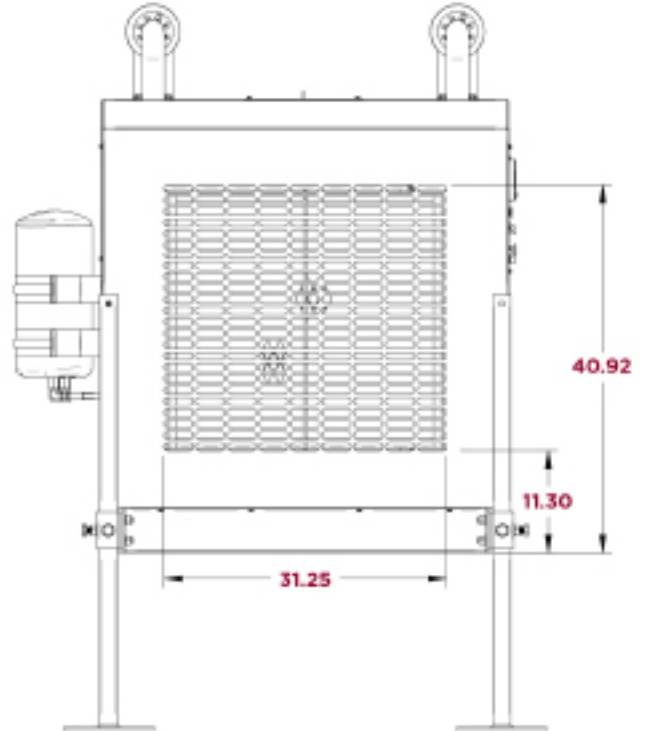
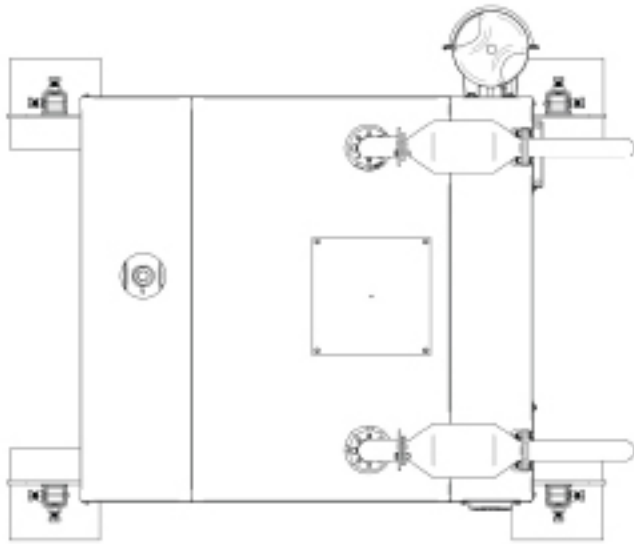
Access for Rad. Filling

1-800-545-4574 • mastry.com





**SRC 8.8L IPU EPA CERTIFIED
140 hp at 1800 rpm**



PART NUMBER	F101325	F101332	FR102445	FR101578	FR102208
NG/LP ENGINE	8.8L Open Skid	Enclosure Kit	PTO	Luberfiner	Lockable Battery Box
Manufacturer	SRC Automotive				
Model	N105170				
Front Engine Mount	Std.				
Industrial Oil Pan with Fittings Welded in (8 qts)	Std.				
Emissions Certified / Carb Certified	Std.				
Oil Drain System	Std.				
Governor	Elect.				
Starter	Std.				
Alternator	Std.				
Belt Guards	Std.				
SAE 3 Rear Housing with Rear Engine Mounts	Std.				
CONTROL PANEL					
Digital Control Panel: (Displays hour, electrical and mechanical values, alarms and safety shutdown)	PV80 Std.				
Fully Enclosed	Std.				
Check Engine Light	Std.				
Emergency Shutdown	Std.				
External Safety Shutdown	Std.				
Keyless Ignition Switch	Std.				
Rocker Switch Throttle Switch	Std.				
Mechanical Oil Pressure Gauge	Opt.				
Mechanical Temperature Gauge	Opt.				
Battery Cables	Std.				
FUEL SYSTEM					
Impco LP Certified Fuel System	Std.				
Impco Nat Gas Certified Fuel System	Opt.				
Impco Vapor Propane Certified Fuel System	Opt.				
EXHAUST SYSTEM					
EPA Certified	Std.				
Dual O2 Sensor	Std.				
Dual Catalyst	Std.				
Dual Mufflers	Opt.				
SKID BASE					
Heavy Duty 7 Gauge Frame Rails and Crossmembers	Std.				
Fully Welded Design	Std.				
Battery Tray	Std.				
Forklift Pockets	Std.				
4 Point Lifting Eyes	Opt.				
Adjustable Legs with 4 Point Lifting Eyes	Opt.				
COOLING SYSTEM					
Heavy Duty Aluminum Radiator	Std.				
Heavy Duty Oil Cooler	Std.				
Puller Fan	Std.				
ENCLOSURE					
Heavy Duty 14 Gauge Enclosure		Std.			
Powder Coated Panels (color of choice)		Std.			
Radiator Grill Guard		Std.			
Easy Access for Radiator Filling		Std.			
Easy Access for Air Cleaner Maintenance		Std.			
PTO					
WPT Dual Disk WTD-11-230			Std.		
PTO Hub Flange			Std.		
EXTENDED OIL SERVICE SYSTEM					
Luberfiner 750-CT W/ Fitting and Hoses				Std.	
3 Gallons of Oil (5W30)				Std.	
BATTERY BOX					
Heavy Duty Lockable Battery Box					Std.



SRC 8.8L IPU EPA CERTIFIED
140 hp at 1800 rpm

8.8L

Power Spreadsheet

Speed(RPM)	Power(Hp)	Torque(ft-lbs)	Fuel(lbs./hour)
2201	164	390	56
2102	163	411	55
2002	161	423	54
1900	157	433	52
1801	155	452	50
1699	145	447	47
1600	137	449	45
1501	132	463	42
1402	120	451	38
1299	105	426	35
1200	100	438	32

Power Curve Graph

